

ASUS NUC 16 PRO

Faster, Smarter, More Secure for the AI-Driven Enterprise



ASUS NUC 16 Pro redefines high-performance compact computing for modern businesses. Powered by Intel® Core™ Ultra processors (Series 3) up to Ultra X9, it delivers up to 1.5× higher 3D graphics performance. On-board LPDDR5x memory supports up to 96GB, ensuring 20% faster speed and 50% lower power consumption, while dual 2.5G LAN and dual HDMI ports provide versatile connectivity. Built-in firmware TPM (fTPM 2.0) secures sensitive data, making the NUC 16 Pro a powerful, secure, and flexible solution for demanding professional workloads.

Key Selling Points

1. AI-Accelerated Hybrid Performance

Unleash next-gen AI workloads with **Intel® Core™ Ultra X9, 12 Xe GPU cores**, and NPU 5. Hybrid XPU architecture delivers **up to 180 Platform TOPS**, optimized for **real-time Edge AI inference** and machine learning tasks.

2. Next-Gen Speed & Efficiency

Up to **96 GB LPDDR5x 9600 MT/s**, delivering **up to 20% faster performance with 50% less power**. Dual-fan thermal design ensures maximum CPU performance in a compact chassis.

3. Hyper-Connected Workspace

Intel® Wi-Fi 7 and **Bluetooth 6.0** enable low-latency wireless. Dual **2.5G LAN** ensures **network redundancy, Zero Trust security**, and high throughput for enterprise and Edge AI workloads.

4. Enterprise Security & Management

Supports **Intel vPro®** (select SKUs) and **fTPM** for hardware-based security. **ASUS Control Center & Edge Suite** enable centralized management, remote monitoring, and asset reporting.

5. Optimized Form Factor & Expansion

Compact **5x4 form factor (144x117x42mm)** with **Tool-less Chassis 2.0** allows upgrades to **dual M.2 SSDs (Gen5/Gen4)**. Maximizes thermal headroom while maintaining flexibility and performance.

6. Industrial Readiness & Long-Term Value

Durable, modular design supports harsh environments and long-term deployment. Rich internal I/O (**RS-232, PCIe x1**) enables POS, IoT, and industrial automation expansion.

Target Industries:

- Enterprise & Corporate
- Small & Medium Business (SMB)
- Education & Research
- Retail & Point-of-Sale
- Industrial Automation & IoT

Target Audience:

- Corporate IT & Enterprise Managers
- SMB Owners & Operators
- AI/IoT Developers & Integrators
- Creative Professionals / Multi-Display Users
- Tech Enthusiasts / Prosumers

Key Usage:

- Edge AI / Real-Time Inference
- Enterprise IT / Secure Management
- Industrial Automation, IoT & Digital Signage
- Multi-Display Workstations / Visualization
- High-Performance Computing / Modular Expansion

ASUS NUC 16 PRO

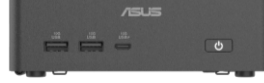
Mini-PC – HDMI Specifications



Marketing Name	ASUS NUC 16 Pro Mini PC (LPDDR)	ASUS NUC 16 Pro Mini PC (LPDDR)	ASUS NUC 16 Pro Mini PC (CSODIMM)	ASUS NUC 16 Pro Mini PC (CSODIMM)	ASUS NUC 16 Pro Mini PC (CSODIMM)	ASUS NUC 16 Pro Mini PC (CSODIMM)
Project Code	NUC16GDK					
ASUS Logo	Yes					
ASUS NUC Logo	Yes					
Color	Black					
OS Support	Windows 11 Home 64-bit; Windows 11 Pro 64-bit					
CPU	Intel® Core™ Ultra X9 388H, cTDP 65W	Intel® Core™ Ultra X7 358H, cTDP 65W	Intel® Core™ Ultra 7 366H (vPro), cTDP 65W	Intel® Core™ Ultra 7 356H, cTDP 65W	Intel® Core™ Ultra 5 335 (vPro), cTDP 45W	Intel® Core™ Ultra 5 325, cTDP 45W
Chipset	Integrated					
Integrated Graphics	Intel® Arc™ Graphics		Intel® Graphics			
Memory	LPDDR5x-9600, 16GB, 32GB, 64GB or 96GB		2 x CSO-DIMM, Up to DDR5-7200, 64GB*2		2 x CSO-DIMM, Up to DDR5-6400, 64GB*2	
Storage	1 x M.2 2280 PCIe Gen5x4, supports 128GB~8TB NVMe SSD 1 x M.2 2280 PCIe Gen4x4, supports 128GB~8TB NVMe SSD					
Wireless Network	Intel® Wi-Fi 7 BE211 (Gig+), Bluetooth 6.0					
LAN	Dual Intel® Ethernet Controller I226-V, 2.5G		Intel® Ethernet Controller I226-V and I226-LM, 2.5G	Dual Intel® Ethernet Controller I226-V, 2.5G	Intel® Ethernet Controller I226-V and I226-LM, 2.5G	Dual Intel® Ethernet Controller I226-V, 2.5G
Audio	No Analog Audio Support - Digital Audio ⁽¹⁾					
TPM	fTPM2.0 ⁽²⁾					
Card Reader	None					
HDMI CEC	Yes, 2 ports on back panel					
Front I/O Ports	1 x USB 3.2 Gen2x1 Type-C 2 x USB 3.2 Gen2 Type-A					
Back I/O Ports	2 x Thunderbolt 4 Type-C w/ DisplayPort 2.1 2 x USB 3.2 Gen 2 Type-A 2 x HDMI 2.1 (TMDS Compatible) 2 x RJ45 LAN 1 x DC-in					
Side I/O Ports	1 x Kensington Lock					
Power Supply ⁽³⁾	19.5VDC, 7.7A, 150W Power Adapter				19VDC, 6.32A, 120W Power Adapter	
Dimensions (W x D x H) / Weight	Product: 144mm x 117mm x 42mm / 750g Box: 206mm x 170mm x 109mm / 1550g			Product: 144mm x 117mm x 42mm / 910g Box: 206mm x 170mm x 109mm / 1710g		
Operating Temperature	0°C - 40°C					
Storage Temperature	-40°C to 60°C					
Humidity	0%-92% non-condensing ⁽⁴⁾					
Noise Level	0~38 dBA (Standard mode)					
Accessories	AC Adapter+Power Cord ² VESA Bracket and Screws Cable Clip Safety/Caution/Regulatory Insert Warranty Card					
Note	⁽¹⁾ Up to 7.1 multichannel audio (or 8-channel) digital audio on HDMI and DP Type C ports ⁽²⁾ Option for Discrete TPM 2.0 ⁽³⁾ Power cord included is region specific, and some SKUs do not include the power cord ⁽⁴⁾ Non-condensing Humidity defined by dew point					

ASUS NUC 16 PRO

Mini-PC – DP Specifications



Marketing Name	ASUS NUC 16 Pro Mini PC (LPDDR)	ASUS NUC 16 Pro Mini PC (LPDDR)	ASUS NUC 16 Pro Mini PC (CSODIMM)	ASUS NUC 16 Pro Mini PC (CSODIMM)	ASUS NUC 16 Pro Mini PC (CSODIMM)	ASUS NUC 16 Pro Mini PC (CSODIMM)
Project Code	NUC16GDK					
ASUS Logo	Yes					
ASUS NUC Logo	Yes					
Color	Black					
OS Support	Windows 11 Home 64-bit; Windows 11 Pro 64-bit					
CPU	Intel® Core™ Ultra X9 388H, cTDP 65W	Intel® Core™ Ultra X7 358H, cTDP 65W	Intel® Core™ Ultra 7 366H (vPro), cTDP 65W	Intel® Core™ Ultra 7 356H, cTDP 65W	Intel® Core™ Ultra 5 335 (vPro), cTDP 45W	Intel® Core™ Ultra 5 325, cTDP 45W
Chipset	Integrated					
Integrated Graphics	Intel® Arc™ Graphics		Intel® Graphics			
Memory	LPDDR5x-9600, 16GB, 32GB, 64GB or 96GB		2 x CSO-DIMM, Up to DDR5-7200, 64GB*2		2 x CSO-DIMM, Up to DDR5-6400, 64GB*2	
Storage	1 x M.2 2280 PCIe Gen5x4, supports 128GB~8TB NVMe SSD 1 x M.2 2280 PCIe Gen4x4, supports 128GB~8TB NVMe SSD					
Wireless Network	Intel® Wi-Fi 7 BE211 (Gig+), Bluetooth 6.0					
LAN	Dual Intel® Ethernet Controller I226-V, 2.5G		Intel® Ethernet Controller I226-V and I226-LM, 2.5G	Dual Intel® Ethernet Controller I226-V, 2.5G	Intel® Ethernet Controller I226-V and I226-LM, 2.5G	Dual Intel® Ethernet Controller I226-V, 2.5G
Audio	No Analog Audio Support - Digital Audio ⁽¹⁾					
TPM	fTPM2.0 ⁽²⁾					
Card Reader	None					
HDMI CEC	None					
Front I/O Ports	1 x USB 3.2 Gen2x1 Type-C 2 x USB 3.2 Gen2 Type-A					
Back I/O Ports	2 x Thunderbolt 4 Type-C w/ DisplayPort 2.1 2 x USB 3.2 Gen 2 Type-A 2 x DP 2.1 2 x RJ45 LAN 1 x DC-in					
Side I/O Ports	1 x Kensington Lock					
Power Supply	19.5VDC, 7.7A, 150W Power Adapter				19VDC, 6.32A, 120W Power Adapter	
Dimensions (W x D x H) / Weight	Product: 144mm x 117mm x 42mm / 750g Box: 206mm x 170mm x 109mm / 1550g			Product: 144mm x 117mm x 42mm / 910g Box: 206mm x 170mm x 109mm / 1710g		
Operating Temperature	0°C - 40°C					
Storage Temperature	-40°C to 60°C					
Humidity	0%-92% non-condensing ⁽⁴⁾					
Noise Level	0~38 dBA (Standard mode)					
Accessories	AC Adapter+Power Cord ² VESA Bracket and Screws Cable Clip Safety/Caution/Regulatory Insert Warranty Card					
Note	⁽¹⁾ Up to 7.1 multichannel audio (or 8-channel) digital audio on HDMI and DP Type C ports ⁽²⁾ Option for Discrete TPM 2.0 ⁽³⁾ Power cord included is region specific, and some SKUs do not include the power cord ⁽⁴⁾ Non-condensing Humidity defined by dew point					

ASUS NUC 16 PRO

Kit – HDMI Specifications



Marketing Name	ASUS NUC 16 Pro Kit (LPDDR)	ASUS NUC 16 Pro Kit (LPDDR)	ASUS NUC 16 Pro Kit (CSODIMM)	ASUS NUC 16 Pro Kit (CSODIMM)	ASUS NUC 16 Pro Kit (CSODIMM)	ASUS NUC 16 Pro Kit (CSODIMM)
Project Code	NUC16GDK-B					
ASUS Logo	No					
ASUS NUC Logo	No					
Color	Black					
OS Support	Supports: Windows 11 Home 64-bit; Windows 11 Pro 64-bit; Windows 11 IoT Enterprise 64-bit; Windows 11 Pro Education 64-bit; Ubuntu 24.04 LTS 64-bit; RedHat Enterprise Linux 10.0 64-bit; *No OS installed at shipment					
CPU	Intel® Core™ Ultra X9 388H, cTDP 65W	Intel® Core™ Ultra X7 358H, cTDP 65W	Intel® Core™ Ultra 7 366H (vPro), cTDP 65W	Intel® Core™ Ultra 7 356H, cTDP 65W	Intel® Core™ Ultra 5 335 (vPro), cTDP 45W	Intel® Core™ Ultra 5 325, cTDP 45W
Chipset	Integrated					
Integrated Graphics	Intel® Arc™ Graphics			Intel® Graphics		
Memory	LPDDR5x-9600, 16GB, 32GB, 64GB or 96GB		2 x CSO-DIMM, Up to DDR5-7200, 64GB*2		2 x CSO-DIMM, Up to DDR5-6400, 64GB*2	
Storage	1 x M.2 2280 PCIe Gen5x4, supports 128GB~8TB NVMe SSD 1 x M.2 2280 PCIe Gen4x4, supports 128GB~8TB NVMe SSD					
Wireless Network	Intel® Wi-Fi 7 BE211 (Gig+), Bluetooth 6.0					
LAN	Dual Intel® Ethernet Controller I226-V, 2.5G	Intel® Ethernet Controller I226-V and I226-LM, 2.5G		Dual Intel® Ethernet Controller I226-V, 2.5G	Intel® Ethernet Controller I226-V and I226-LM, 2.5G	Dual Intel® Ethernet Controller I226-V, 2.5G
Audio	No Analog Audio Support - Digital Audio ⁽¹⁾					
TPM	fTPM2.0 ⁽²⁾					
Card Reader	None					
HDMI CEC	Yes, 2 ports on back panel					
Front I/O Ports	1 x USB 3.2 Gen2x1 Type-C 2 x USB 3.2 Gen2 Type-A					
Back I/O Ports	2 x Thunderbolt 4 Type-C w/ DisplayPort 2.1 2 x USB 3.2 Gen 2 Type-A 2 x HDMI 2.1 (TMDS Compatible) 2 x RJ45 LAN 1 x DC-in					
Side I/O Ports	1 x Kensington Lock					
Power Supply	Product: 144mm x 117mm x 42mm / 700g Box: 206mm x 170mm x 109mm / 1500g			Product: 144mm x 117mm x 42mm / 730g Box: 206mm x 170mm x 109mm / 1530g		
Dimensions (W x D x H) / Weight	144mm x 117mm x 42mm / 708g					
Operating Temperature	0°C - 40°C					
Storage Temperature	-40°C to 60°C					
Humidity	0%-92% non-condensing ³					
Noise Level	0~38 dBA (Standard mode)					
Accessories	AC Adapter+Power Cord ² VESA Bracket and Screws Cable Clip Safety/Caution/Regulatory Insert Warranty Card					
Note	⁽¹⁾ Up to 7.1 multichannel audio (or 8-channel) digital audio on HDMI and DP Type C ports ⁽²⁾ Option for Discrete TPM 2.0 ⁽³⁾ Power cord included is region specific, and some SKUs do not include the power cord ⁽⁴⁾ Non-condensing Humidity defined by dew point					

ASUS NUC 16 PRO

Kit – DP Specifications



Marketing Name	ASUS NUC 16 Pro Kit (LPDDR)	ASUS NUC 16 Pro Kit (LPDDR)	ASUS NUC 16 Pro Kit (CSODIMM)	ASUS NUC 16 Pro Kit (CSODIMM)	ASUS NUC 16 Pro Kit (CSODIMM)	ASUS NUC 16 Pro Kit (CSODIMM)
Project Code	NUC16GDK-B					
ASUS Logo	No					
ASUS NUC Logo	No					
Color	Black					
OS Support	Supports: Windows 11 Home 64-bit; Windows 11 Pro 64-bit; Windows 11 IoT Enterprise 64-bit; Windows 11 Pro Education 64-bit; Ubuntu 24.04 LTS 64-bit; RedHat Enterprise Linux 10.0 64-bit; *No OS installed at shipment					
CPU	Intel® Core™ Ultra X9 388H, cTDP 65W	Intel® Core™ Ultra X7 358H, cTDP 65W	Intel® Core™ Ultra 7 366H (vPro), cTDP 65W	Intel® Core™ Ultra 7 356H, cTDP 65W	Intel® Core™ Ultra 5 335 (vPro), cTDP 45W	Intel® Core™ Ultra 5 325, cTDP 45W
Chipset	Integrated					
Integrated Graphics	Intel® Arc™ Graphics			Intel® Graphics		
Memory	LPDDR5x-9600, 16GB, 32GB, 64GB or 96GB		2 x CSO-DIMM, Up to DDR5-7200, 64GB*2		2 x CSO-DIMM, Up to DDR5-6400, 64GB*2	
Storage	1 x M.2 2280 PCIe Gen5x4, supports 128GB~8TB NVMe SSD 1 x M.2 2280 PCIe Gen4x4, supports 128GB~8TB NVMe SSD					
Wireless Network	Intel® Wi-Fi 7 BE211 (Gig+), Bluetooth 6.0					
LAN	Dual Intel® Ethernet Controller I226-V, 2.5G	Intel® Ethernet Controller I226-V and I226-LM, 2.5G	Dual Intel® Ethernet Controller I226-V, 2.5G	Intel® Ethernet Controller I226-V and I226-LM, 2.5G	Dual Intel® Ethernet Controller I226-V, 2.5G	
Audio	No Analog Audio Support - Digital Audio ⁽¹⁾					
TPM	fTPM2.0 ⁽²⁾					
Card Reader	None					
HDMI CEC	None					
Front I/O Ports	1 x USB 3.2 Gen2x1 Type-C 2 x USB 3.2 Gen2 Type-A					
Back I/O Ports	2 x Thunderbolt 4 Type-C w/ DisplayPort 2.1 2 x USB 3.2 Gen 2 Type-A 2 x DP 2.1 2 x RJ45 LAN 1 x DC-in					
Side I/O Ports	1 x Kensington Lock					
Power Supply	19.5VDC, 7.7A, 150W Power Adapter				19VDC, 6.32A, 120W Power Adapter	
Dimensions (W x D x H) / Weight	Product: 144mm x 117mm x 42mm / 700g Box: 206mm x 170mm x 109mm / 1500g			Product: 144mm x 117mm x 42mm / 730g Box: 206mm x 170mm x 109mm / 1530g		
Operating Temperature	0°C - 40°C					
Storage Temperature	-40°C to 60°C					
Humidity	0%-92% non-condensing ³					
Noise Level	0~38 dBA (Standard mode)					
Accessories	AC Adapter+Power Cord ² VESA Bracket and Screws Cable Clip Safety/Caution/Regulatory Insert Warranty Card					
Note	⁽¹⁾ Up to 7.1 multichannel audio (or 8-channel) digital audio on HDMI and DP Type C ports ⁽²⁾ Option for Discrete TPM 2.0 ⁽³⁾ Power cord included is region specific, and some SKUs do not include the power cord ⁽⁴⁾ Non-condensing Humidity defined by dew point					



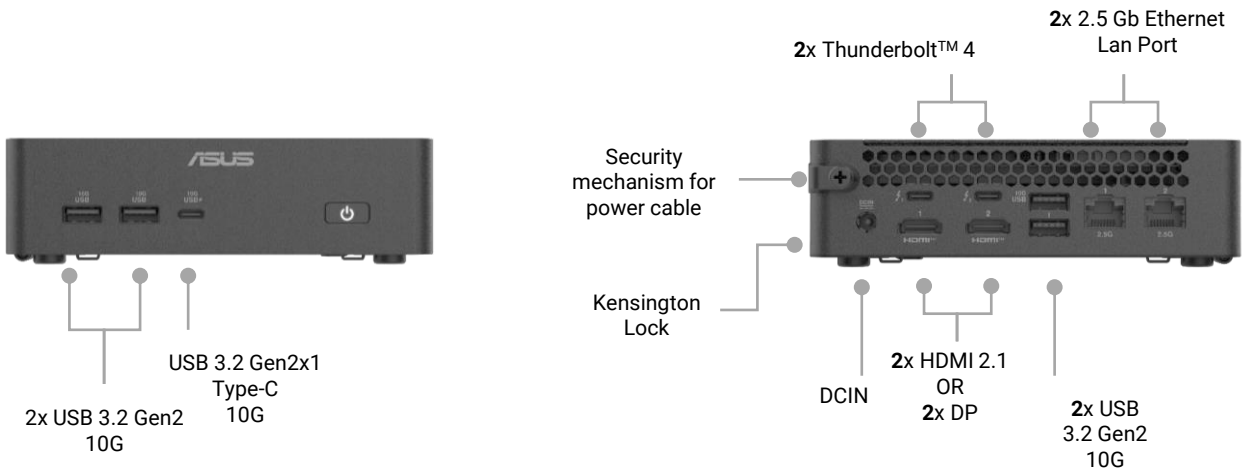
ASUS NUC 16 PRO

Board Specifications

Marketing Name	ASUS NUC 16 Pro Board (HDMI/LPDDR5x)	ASUS NUC 16 Pro Board (DP/LPDDR5x)	ASUS NUC 16 Pro Board (HDMI/CSODIMM)	ASUS NUC 16 Pro Board (DP/CSODIMM)	ASUS NUC 16 Pro Board (HDMI/CSODIMM)	ASUS NUC 16 Pro Board (DP/CSODIMM)
Project Code	NUC16GDB					
OS Support	Supports: Windows 11 Home 64-bit; Windows 11 Pro 64-bit; Windows 11 IoT Enterprise 64-bit; Windows 11 Pro Education 64-bit; Ubuntu 24.04 LTS 64-bit; RedHat Enterprise Linux 10.0 64-bit; *No OS installed at shipment					
CPU	Intel® Core™ Ultra X9 388H, cTDP 65W Intel® Core™ Ultra X7 358H, cTDP 65W		Intel® Core™ Ultra 7 366H (vPro), cTDP 65W Intel® Core™ Ultra 7 356H, cTDP 65W		Intel® Core™ Ultra 5 335 (vPro), cTDP 45W Intel® Core™ Ultra 5 325, cTDP 45W	
Chipset	Integrated					
Integrated Graphics	Intel® Arc™ Graphics			Intel® Graphics		
Memory	LPDDR5x-9600, 16GB, 32GB, 64GB or 96GB		2 x CSO-DIMM, Up to DDR5-7200, 64GB*2		2 x CSO-DIMM, Up to DDR5-6400, 64GB*2	
Storage	1 x M.2 2280 PCIe Gen5x4, supports 128GB~8TB NVMe SSD 1 x M.2 2280 PCIe Gen4x4, supports 128GB~8TB NVMe SSD					
Wireless Network	None					
LAN	Dual Intel® Ethernet Controller I226-V			Dual Intel® Ethernet Controller I226-V/LM, 2.5G ¹		
Audio	No Analog Audio Support - Digital Audio ⁽¹⁾					
TPM	fTPM2.0 ⁽²⁾					
Card Reader	None					
HDMI CEC	Yes, 2 ports on back panel	No	Yes, 2 ports on back panel	No	Yes, 2 ports on back panel	No
Front I/O Ports	1 x USB 3.2 Gen2x1 Type-C 2 x USB 3.2 Gen2 Type-A					
Back I/O Ports	2 x Thunderbolt 4 Type-C w/ DisplayPort 2.1 2 x USB 3.2 Gen 2 Type-A 2 x RJ45 LAN 1 x DC-in					
	2 x HDMI 2.1 (TMDS Compatible)	2 x DP 2.1	2 x HDMI 2.1 (TMDS Compatible)	2 x DP 2.1	2 x HDMI 2.1 (TMDS Compatible)	2 x DP 2.1
Internal Headers	2 x USB 2.0 1 x RS232 1 x PCIe x1 Gen2 1 x Front Panel 1x Power 1 x I2C 1 x eDP 1.5 1x CPU Fan 1x Aux Fan					
Power Supply	Not Included					
Dimensions (W x D x H) / Weight	138mm x 113.5mm x 32mm/ 330g		138mm x 113.5mm x 32mm/ 360g			
Operating Temperature	0°C - 40°C					
Storage Temperature	-40°C to 60°C					
Humidity	0%-92% non-condensing ²					
Accessories	Warranty Card; Safety/Caution/Regulatory Insert					
Note	Board Only with Thermal Solution ¹ Up to 7.1 multichannel audio (or 8-channel) digital audio on HDMI and DP Type C ports		Board Only with Thermal Solution ¹ Intel® Ethernet Controller I226-LM included on vPro enabled systems ² Up to 7.1 multichannel audio (or 8-channel) digital audio on HDMI and DP Type C ports			
	2 - Non-condensing Humidity defined by dew point		3 - Non-condensing Humidity defined by dew point			

ASUS NUC 16 PRO

I/O Ports



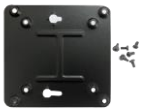
What's in box



NUC 16 Pro



Regulatory Flyer



VESA Mount + Screws



Safety/Caution Flyer



Power Adapter and Power Cord*



NUC Warranty Card

NOTE:

- The most up-to-date and accurate product specifications are available on www.asus.com for download.
- Product and accessory images are for illustrative purposes only. The actual appearance and specifications may vary depending on the model.
- *The bundled power adapter may vary depending on the model and the country (or region) of sale.
- Some bundled accessories may vary depending on the model. For details on these accessories, refer to their respective user manuals.
- If the device or its components fail or malfunction during normal and proper use within the warranty period, bring the warranty card to the ASUS Service Center for replacement of the defective components.

Specifications, content, and product availability are all subject to change without notice and may differ from country to country. Actual performance may vary depending on the application, usage, environment, and other factors. Full specifications are available at <http://www.asus.com>